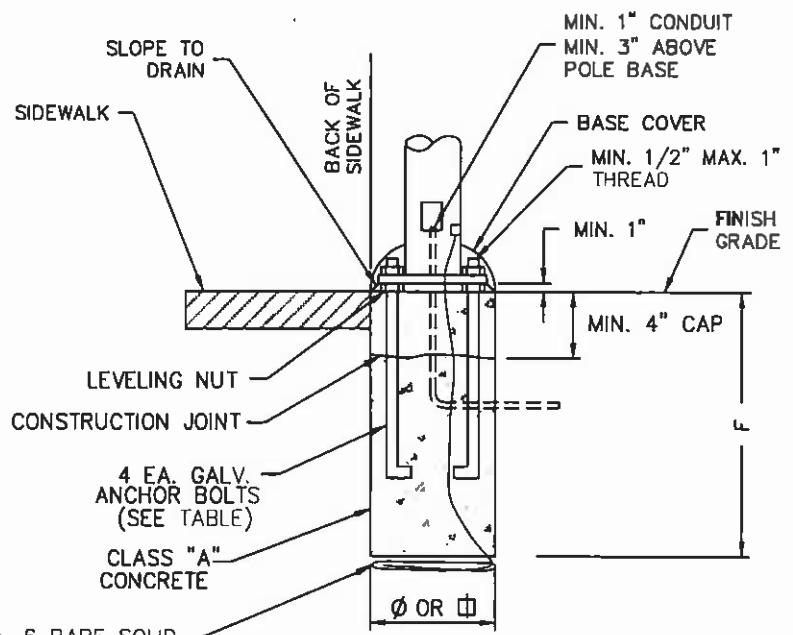
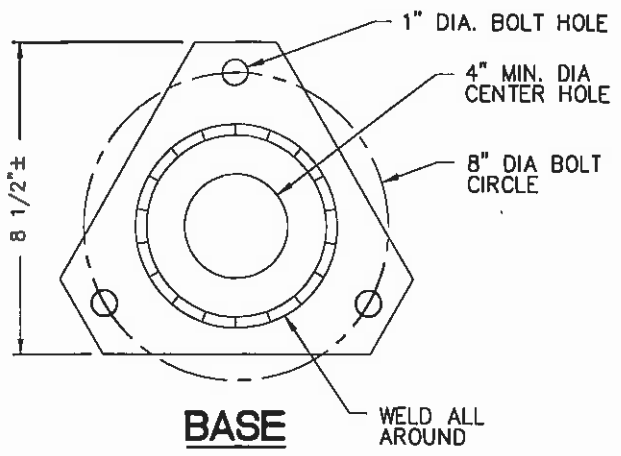


STREET LIGHT




No. 6 BARE SOLID COPPER GROUND WIRE, LOOP 15' OF GROUND WIRE IN GROOVE AT BOTTOM OF FOUNDATION

FOUNDATION

POLE DATA			FOUNDATION		
A HEIGHT	P MTG. HGT.	ACCEPTABLE PRODUCTS	F DEPTH	Ø DIA	⌀ SQ
12', 14', 16'	VARIES	UNION METAL DESIGN SERIES 201 AMERON SERIES G F VALMONT SERIES DS 200 OR APPROVED EQUAL	30"	27"	24"
18'	VARIES		36"	27"	24"

- NOTES:**
- A. PULL BOX SHALL BE INSTALLED ADJACENT TO POLE WITHIN 36". PULL BOX SHALL NOT BE LOCATED IN SIDEWALK WITHOUT PRIOR APPROVAL OF THE CITY ENGINEER.
 - B. WHEN A SECONDARY PULL BOX IS LOCATED WITHIN 8' OF POLE, PULL BOX IS NOT REQUIRED.

THE CITY OF WEST SACRAMENTO - STANDARD DETAIL

APPROVED BY:  CITY ENGINEER

C-38733 P.E. NO. 3/31/05 DATE

REVISION:

REVISION:

REVISION:

REVISION:

TITLE: **POST TOP STREET LIGHT**

STANDARD DETAIL #: 603

